

# Indoor Fine Pitch LED Display Screen

## MW79XX-P Series

### Overview

The MW79XX-P Series LED Display Unit features seamless display, ultra-high brightness/contrast, and ultra-wide viewing angle, achieving good visual effects in diversified angles. It has a compact design, long lifetime and low maintenance cost.



### Features

- Excellent graphene heat dissipation.
- High grayscale image delivers more details.
- Seamlessly splice images without black lines on the screen.
- Simple and stylish appearance, easy to install.
- High brightness and contrast provide optimal images.
- Long lifetime.
- Low heating and noiseless.

- Low failure rate and maintenance cost.
- Ultra-wide viewing angle and satisfactory display effects from diversified angles.
- High refresh rate and frame frequency provide high image quality.
- Supports complete front and rear maintenance.
- Supports wall mount without reserving space for maintenance.

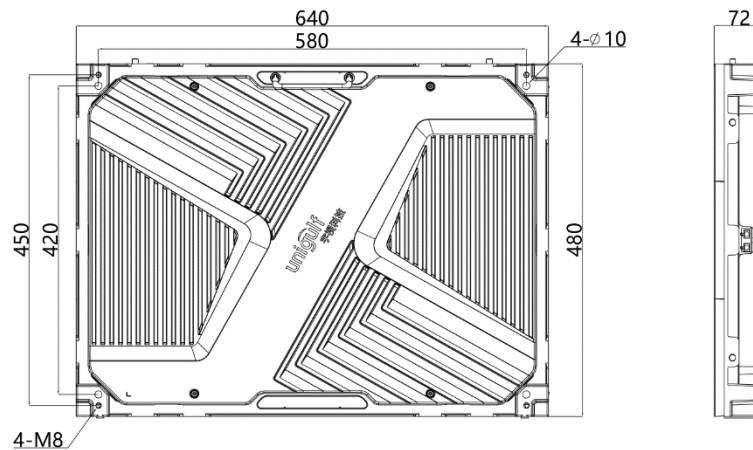
## Specifications

Model	MW7912-P	MW7915-P	MW7918-P	MW7920-P	MW7925-P
<b>Module Parameters</b>	<b>Description</b>				
Pixel pitch	P1.2	P1.5	P1.8	P2.0	P2.5
Resolution	256*128	208*104	172*86	160*80	128*64
Dimensions (W×H×D)(mm)	320*160*17	320*160*16.6	320*160*16.6	320*160*16.6	320*160*16.2
<b>Unit Parameters</b>	<b>Description</b>				
Resolution	512*384	416*312	344*258	320*240	256*192
Dimensions (W×H×D)(mm)	640*480*72	640*480*71.4	640*480*71.4	640*480*71.4	640*480*71
Modules component	2*3				
Material	Die-cast aluminum and graphene				
<b>Image Parameters</b>	<b>Description</b>				
Brightness (nits)	500	500	500	500	400
Single pixel brightness correction	Support				
Single pixel color correction	Support				
Color temperature (K)	2000~9300				
Viewing angle (H/V)	140°/140°				
Center distance deviation of LED	<3%				
Brightness uniformity	≥97%				
Color uniformity	±0.003Cx,Cy				
Contrast ratio	4000:1				
<b>Performance Parameters</b>	<b>Description</b>				
Pixel density (pitch/m <sup>2</sup> )	640000	422500	295664	250000	160000
Scanning mode (S)	64	52	43	40	32
Flatness (mm)	0.2				
Grayscale (bit)	14				
Drive mode	Constant current driving				
Frame frequency (Hz)	60				
Refresh frequency (Hz)	≥3840				
<b>Electrical Parameters</b>	<b>Description</b>				

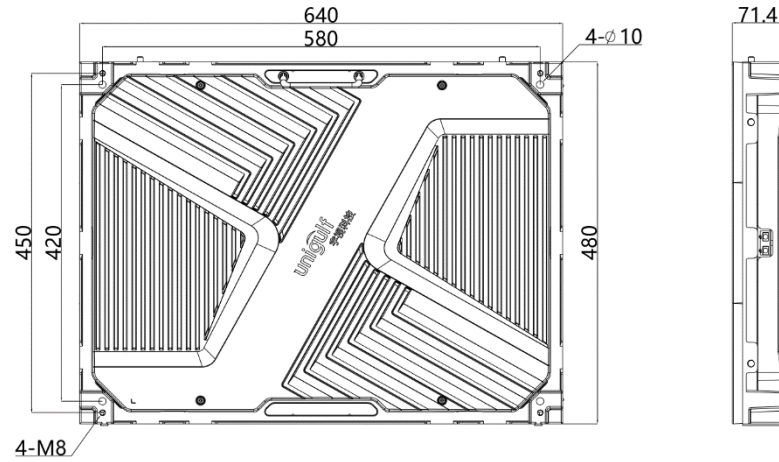
Power supply (V)	AC 200~240				
Average power consumption (W/m <sup>2</sup> )	180	180	160	160	160
Max. power consumption (W/m <sup>2</sup> )	600	600	550	550	550
<b>General</b>	<b>Description</b>				
Weight (kg/pcs)	8.05	7.95	7.92	7.92	7.90
Maintenance method	Front/rear maintenance				
Ingress protection	IP30				
Operating temperature	-10°C to +40°C				
Operating humidity	10% to 60% RH (non-condensing)				
Storage temperature	-20°C to +60°C				
Storage humidity	10% to 65% RH (non-condensing)				
LED lifetime (H)	≥50000				

## Dimensions

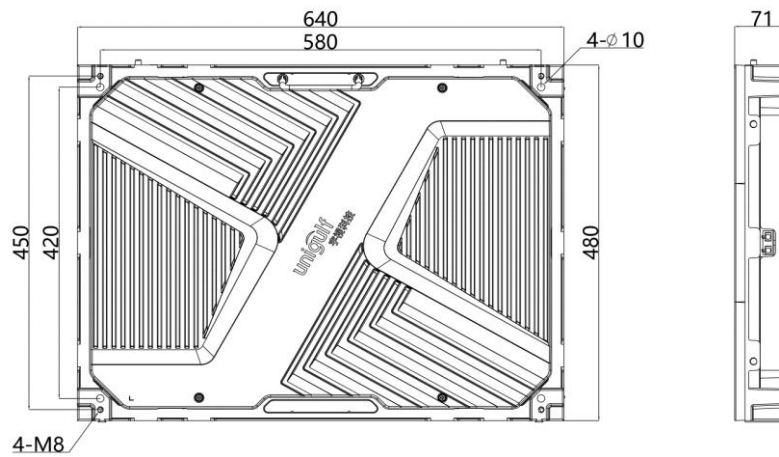
### MW7912-P



### MW7915-P/MW7915-P/MW7915-P



## MW7925-P



## Ordering Information

Model	Description
MW79XX-P series	Indoor Fine Pitch LED Display Screen

### Zhejiang Uniview Technologies Co., Ltd.

Xietong Street No. 369, Binjiang District, Hangzhou, China (310051)

Email: [overseasbusiness@uniview.com](mailto:overseasbusiness@uniview.com); [globalsupport@uniview.com](mailto:globalsupport@uniview.com)

<http://www.uniview.com>

©2023 Zhejiang Uniview Technologies Co., Ltd. All rights reserved.

\* Product specifications and availability are subject to change without notice.